

(12) INTERNATIONAL APPLICATION PUBLISHED UNDER THE PATENT COOPERATION TREATY (PCT)

(19) World Intellectual Property
Organization
International Bureau



(43) International Publication Date
12 August 2004 (12.08.2004)

PCT

(10) International Publication Number
WO 2004/067126 A1

(51) International Patent Classification⁷: A63G 1/44, 31/00

(74) Agent: WRAY & ASSOCIATES; Level 4, The Quadrant,,
1 William Street, Perth, Western Australia 6000 (AU).

(21) International Application Number:

PCT/AU2004/000099

(81) Designated States (unless otherwise indicated, for every kind of national protection available): AE, AG, AL, AM, AT, AU, AZ, BA, BB, BG, BR, BW, BY, BZ, CA, CH, CN, CO, CR, CU, CZ, DE, DK, DM, DZ, EC, EE, EG, ES, FI, GB, GD, GE, GH, GM, HR, HU, ID, IL, IN, IS, JP, KE, KG, KP, KR, KZ, LC, LK, LR, LS, LT, LU, LV, MA, MD, MG, MK, MN, MW, MX, MZ, NA, NI, NO, NZ, OM, PG, PH, PL, PT, RO, RU, SC, SD, SE, SG, SK, SL, SY, TJ, TM, TN, TR, TT, TZ, UA, UG, US, UZ, VC, VN, YU, ZA, ZM, ZW.

(22) International Filing Date: 29 January 2004 (29.01.2004)

(25) Filing Language: English

(26) Publication Language: English

(30) Priority Data:

A136/2003 29 January 2003 (29.01.2003) AT

(71) Applicant and

(72) Inventor: PONDORFER, Walter [AT/AT]; Dolsach 68,
A-9991 Tirol (AT).

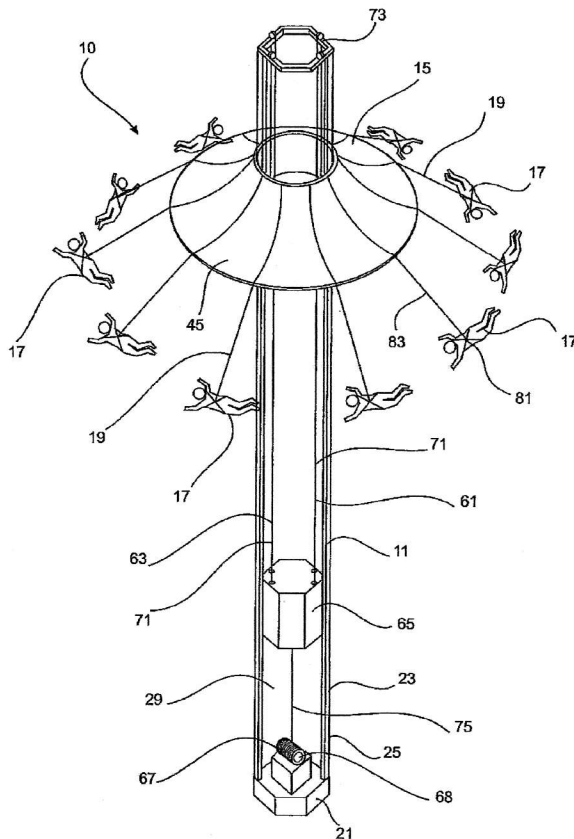
(72) Inventor; and

(75) Inventor/Applicant (for US only): PETRIE, Laurence
Ross [AU/AU]; Lot 101 Bernborough Way., Byford, Perth,
Western Australia 6021 (AU).

(84) Designated States (unless otherwise indicated, for every kind of regional protection available): ARIPO (BW, GH, GM, KE, LS, MW, MZ, SD, SL, SZ, TZ, UG, ZM, ZW), Eurasian (AM, AZ, BY, KG, KZ, MD, RU, TJ, TM), European (AT, BE, BG, CH, CY, CZ, DE, DK, EE, ES, FI, FR, GB, GR, HU, IE, IT, LU, MC, NL, PT, RO, SE, SI, SK,

[Continued on next page]

(54) Title: AMUSEMENT RIDE



(57) Abstract: An amusement ride (10) involving riders (17) being conveyed through the air. The amusement ride (10) comprises a tower (11) having a column (23) of framework construction, typically of a height of at least 30 metres. A hub structure (33) is supported on the column (23) for rotation with respect thereto and for displacement therealong. A first drive means (51) is provided for rotating the hub structure (33) with respect to the column (23). A second drive means (61) is provided for displacing the hub structure (33) along the column (23). Rider carriers (81) are suspended from the hub structure (33) to undergo motion in response to movement of the hub structure (33) with respect to the column (23), involving the riders (17) being conveyed along a path around the column (23), with the elevation of the riders changing during the ride through displacement of the hub structure (33) along the column (23). The amusement ride (10) is of a design which is conducive to construction on a large scale.

WO 2004/067126 A1